

FORTRESS II



30W LED Twin Security Light With PIR Sensor



Quick
Connect
System



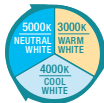
Replacement
Warranty



Energy
Efficient



IP
Rating



5000k
NEUTRAL
WHITE
3000k
WARM
WHITE
4000k
COOL
WHITE



Class II



MLXF3452MS

FEATURES

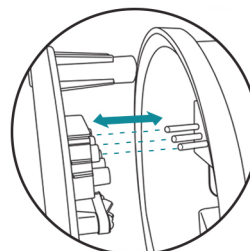
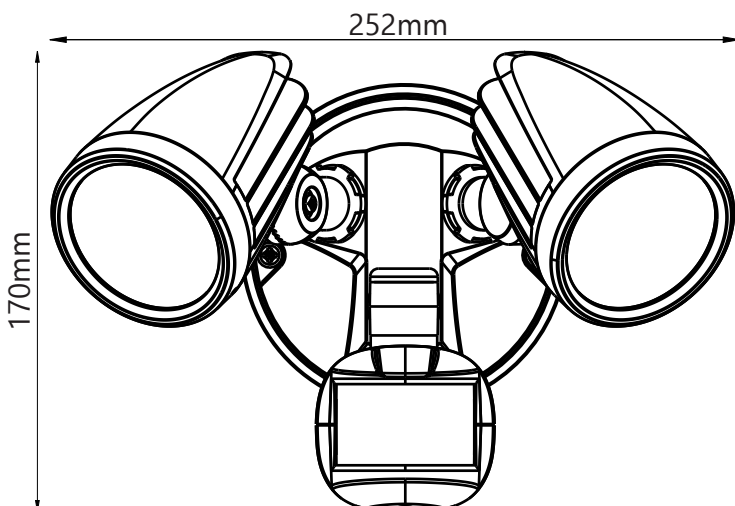
- /// 30W twin head COB LED with PIR sensor
- /// New quick connect system
- /// Tricolour switchable 3000k, 4000k or 5000k
- /// Vertical & horizontal adjustable heads
- /// Wall or ceiling mountable

TECHNICAL INFORMATION

Power: 30W (2x15W)
Voltage: 220-240V AC
Colour Temperature: Tricolour 3000K, 4000K or 5000K
Lumens: 2400 - 2500lm
Material: Cast aluminium / polycarbonate
Size: 170mm x 252mm x 190mm
Beam Angle: 100°
Detection Angle: Max. 150°
Detection Distance: Max. 12m
Adjustable Time: 10±5 seconds to 4±1 minutes
LUX: From daylight to night
IP Rating: IP54
Approx Lamp Life: >25000H
Operating Temp: -20°C to +40°C
CRI: Ra>80



MLXF3452WS



Quick
Connect
System